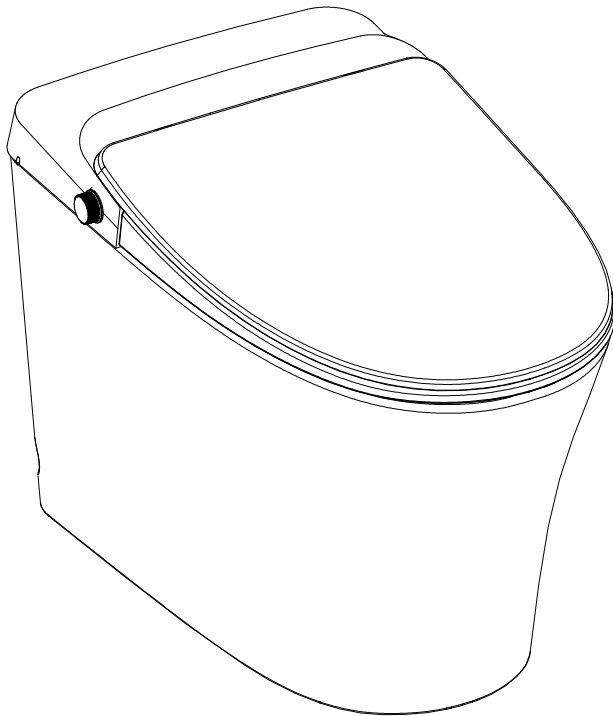


# Smart Toilet USER MANUAL

Model No: YC318GE



Edition: V 2024.08.30



Dear customers,

Thank you for purchasing our intelligent toilet series products, to ensure safety before using this product, please read this instruction carefully and keep it carefully for reference.

<b>PRECAUTIONS FOR USE</b>	<b>02</b>
<b>PRODUCT FUNCTIONS</b>	<b>05</b>
<b>USING GUIDE</b>	<b>05</b>
<b>PACKING LIST</b>	<b>05</b>
<b>PRODUCT SIZE</b>	<b>05</b>
<b>TECHNICAL DATA</b>	<b>06</b>
<b>PRECAUTIONS BEFORE INSTALLATION</b>	<b>07</b>
<b>PRODUCT INSTALLATION METHODS</b>	<b>07</b>
<b>PRODUCT CLEANING AND MAINTENANCE METHODS</b>	<b>10</b>
<b>TROUBLE SHOOTING</b>	<b>12</b>
<b>REMOTE CONTROL USER MANUAL</b>	<b>13</b>

- Before beginning installation, read all instructions first. Save these instructions for future use.

## Precautions for use

### **! WARNING**

Installation can only be conducted by an authorized licensed plumber in accordance with NCC Part Three (PCA) and utilizing appropriate high-hazard cross connection control.

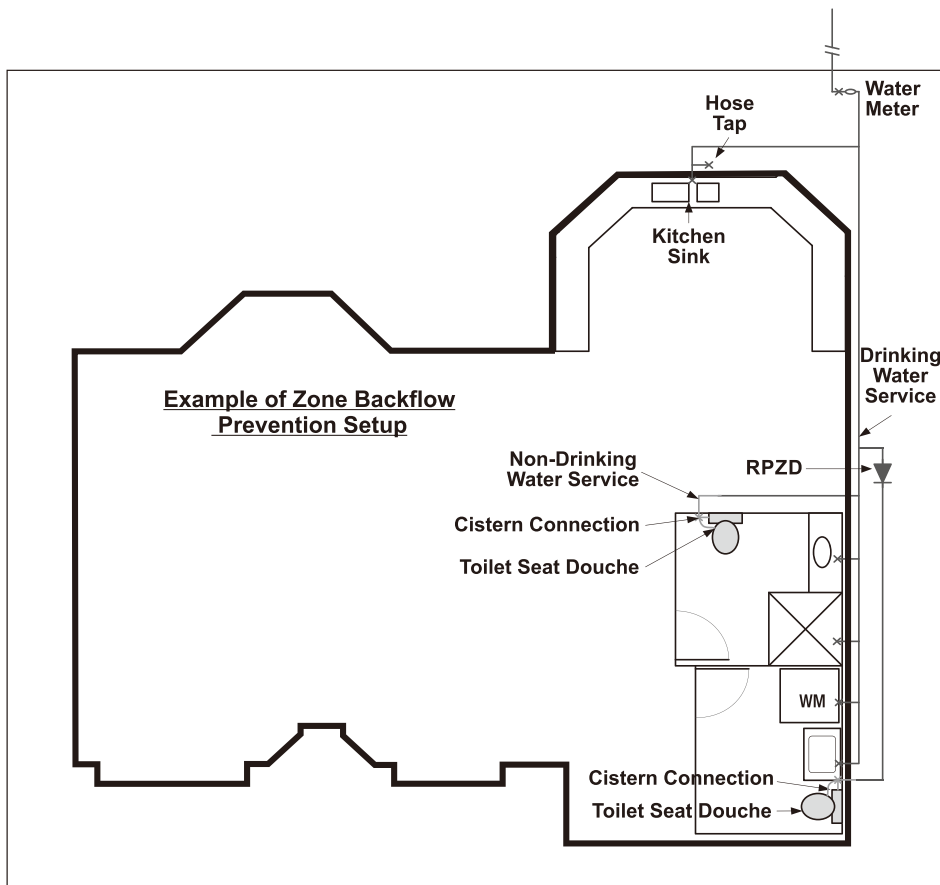






**WARNING:** The Reduced Pressure Zone Device (RPZD) with commissioning maintenance program is recommended to be externally installed. Installation can only be installed by licensed plumber subject to the requirements of the applicable regulatory authority, the National Construction Code Volume Three -Plumbing Code of Australia, associated reference standards as applicable at the time and WMTS-051, AS 1172.1, AS 1172.2 and AS/NZS 3500 series. To consult with license plumber, local relevant authority for more technical specifications. To contact us for the details if in questions.






PLEASE ENSURE PIPEWORK IS FLUSHED CLEAR OF DEBRIS.


NOT SUITABLE TO BE INSTALLED WITH A GRAVITY FEED SYSTEM. Rainwater, demineralized water, sea water or grey water are not suitable to operate this equipment. Operate with normal drinking water only.



Specific application of bathroom safety should be suitable following local electrical codes. Prior to the installation, a suitable electrical connection with appropriate power socket or Residual Current Detector an isolated circuit breaker should be available. To contact us or qualified technicians for the details if in questions.



 <b>Attention</b>	It may cause minor injury or damage, be sure to always pay attention.
 <b>Forbiddance</b>	Do not operate forbidden content.
 <b>Enforcement</b>	Must comply with the enforcing content.
 <b>Ground</b>	Ground wire connection is correct, firing line, zero line, ground.

<b>Warnings</b>	
 <b>Do not disassemble</b>	It is absolutely forbidden to disassemble, repair and transform this product by yourself. It may cause fire, electric shock and other accidents.
 <b>No watering</b>	Do not pour water or detergent on the power plug. It may cause fire, electric shock and other accidents.
 <b>Forbiddance of fire</b>	Do not bring lit cigarettes or burning species close to the product. It may cause a fire.
 <b>Forbiddance</b>	Please do not continue to use the product when the product fails. Please contact the after-sales service staff for maintenance. When the following situation occurs, please remove the power plug and close the inlet angle valve. 1. Leakage from the inside of the product line; 2. The product is unusually hot; 3. The product makes an abnormal sound and smell; 4. The product is burnt. If the product is still used in the event of malfunction, it may cause problems such as fire, electric shock, water inflow in the room. (The normal life of this product is six years, the continued use beyond the service life may lead to accidents.)
	Only tap water can be used. Otherwise may cause infectious dermatitis and other diseases.
	Do not use loose power outlet. It may cause a fire or electric shock.
	When the toilet is opening the seat or cover, the opposite force exerted by man or other external forces is prohibited.
	Please use the power outlet within the specified conditions (220-240V~, 10A, 50Hz socket). Do only use 220-240V~ power supply. Using power beyond the socket regulations may cause the socket to heat up and cause a fire.
	Do not damage the power cord and seat wire. 1. Do not damage, do not process, do not heat; 2. Do not force bending, do not curly tied, do not pull; 3. Do not put heavy objects on the power cord and the seat lid connection, ignoring product damage and continuing to use may result in fire, electric shorts and other conditions.
 <b>Enforcement</b>	1. This product belongs to the electrical products, do not put it in places where there is water or the places of high humidity. When used in the bathroom, please install ventilation fan or ventilation port to keep the bathroom in good air circulation. Otherwise, it may cause a fire or electric shock. 2. If the power cord is damaged, do not disassemble it yourself and must be replaced by the manufacturer or its service department or relative department.

 <b>Grounding</b>	<p>Please check if grounding is done.                  A product that is not grounded may cause an electric shock in the event of a malfunction or leakage.</p>
---	---

<b>Attention</b>	
 <b>Forbiddance</b>	<p>Forbiddance sitting on the seat for a long time, the seat temperature should be adjusted in low-grade, please note that low-temperature burns.                  The following personnel should set the seat temperature at low-grade when using the toilet.                  1. Children and elderly people who cannot adjust the temperature to the right degree,                  2. Patients, persons with disabilities and other people who can not move freely,                  3. Lethargic crowd because of taking hypnotics (Such as sleeping pills, cold medicine, etc.) deep drinking and over fatigue.</p>
	<p>Do not forcibly stretch the connecting pipe of the water supply pipe. Otherwise it may cause water leakage.</p>
	<p>Defecation clean function, a special cleaning function, only allowed to use one time whenever you use the toilet, non-repeated use!</p>
	<p>Do not rely on the seat cover or forcibly press the control panel.                  Otherwise it may result in malfunction or breakage.                  Forced application of force may cause seat cover and control panel damage, resulting in personal injury.</p>
	<p>Do not place containers containing liquid such as vials, cups, cosmetics, pharmaceuticals, etc. or small metal objects on top of the product. Inadvertent entry into the product may result in fire or electric shock.</p>
	<p>Do not place the product in direct sunlight, otherwise the appearance of products may be aging deformation.</p>
	<p>People with disabilities, mental retardation, etc. (including children) need to use this toilet under supervision, do not let children play with this toilet.</p>
	<p>Do not use the toilet to flush expect shit, urinate and toilet paper, or it may cause toilet jam, sewage overflow.</p>
	<p>Please do not hit the ceramic to prevent damages that result in leakage.</p>
	<p>Please do not use in the environment below 0°C.</p>
 <b>Enforcement</b>	<p>When installing the inlet angle valve, please tighten firmly.                  Otherwise it will lead to water leakage.</p>
	<p>Prevent damage caused by freezing.                  Freezing can cause damage to the water hose and product interiors and cause water leakage.</p>
	<p>When traveling for long periods of time or when not in use, please unplug the power plug from the outlet.</p>
	<p>Unplug the power plug when lightning occurs.</p>
	<p>This product is only for bathroom, and should not be used for any purposes other than the ones described in this manual.                  Otherwise maybe cause to fire, electric shock, personal injury or malfunction.</p>
	<p>Do not allow urine and other contaminants to touch the smart toilet.                  Doing so may cause odor or cause malfunction.</p>
	<p>Do not forcibly close the seat and seat cover. It is necessary to avoid the collision of the seat lid and the seat cover when turning them. Otherwise maybe cause malfunction. Don't clip to the fingers while seat and seat cover switch, otherwise maybe cause bruise.</p>
	<p>For external maintenance, unplug the power plug from the socket for safety reasons.                  Otherwise maybe get an electric shock.</p>

## Product functions

Heated seat, Soft night light, Energy saving, Deodorizer, Warm air drying, Rear wash, Front wash, One touch, Nozzle Self-clean, Nozzle Cleaning Auto flush, Foot Induction Flush, Remote Control Flush, Power-off Flush, Lid cover open/close, Dryer Temp., Seat temp., Water temp., water pressure, washing position adjustable.

## User guidance

Please refer to the below advice when you use the bidet.

1. Turn on the valve.
2. Plug the power cord into the electrical inlet.
3. If power indicator lights on, the bidet seat is ready to use.

### Standby Model

While off the seat, touch and hold the remote control stop/power button for 3s or more to enter standby mode.

In standby mode, press the STOP/POWER button to exit standby mode.

In the cleaning mode, press the STOP/POWER button to exit the cleaning mode.

### One Touch

One key automatically completes buttocks cleaning, flush and warm air drying.

### Manual Flush

Press the button on side to flush when powered off.

### Foot Induction Flush

When leaving the seat, trigger the foot feeling signal for the first time, it will automatically flip the seat; trigger the second time, then will flush 1 time automatically. When seating, can't flush automatically.

### Microwave Induction

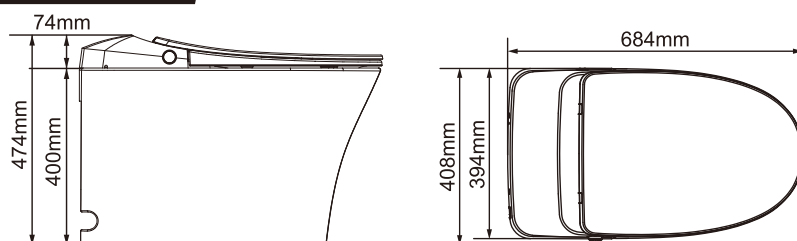
When leaving the seat:

- ① If the cover is closed, when there is no object entering microwave induction region after holding for 10 seconds. If there is any object enters the microwave induction region, it will automatically flip the cover.
- ② When leaving the seat, if there is no object entering microwave induction region after holding for 5 minute. It will automatically close the cover. If the seat is opening, it will close the seat and cover.

## Packing list

No.	Name	Quantity	No.	Name	Quantity
1	Smart Toilet	1	7	Remote Screw	2
2	User Manual	1	8	Flange	1
3	Remote Control	1	9	G1/2 To G3/4 Angle Valve	1
4	Remote Expansion Nut	2	10	9V Battery	1
5	AAA Battery	2	11	Water Flow Restrictor	1
6	Battery Box	1	12	Filter	1

## Product size



## Technical data

Rated voltage		220-240V~	
Rated frequency		50Hz	
Rated power		1300W (15°C±1°C inlet water temperature)	
Water flow		≥20L/min	
Water supply mode		Directly connected to the channel	
Ambient temperature		About 3°C to 40°C	
Water supply temperature		About 3°C to 35°C	
Water pressure range		Dynamic water pressure 0.15MPa - Static water pressure 0.5MPa	
Safety devices		Electrical leakage protector, seated sensor, water over-pressure protection device	
Decontaminating apparatus	Heating method		Instant heating
	Warm water temperature		Four grades (Room temperature to 40°C)
	Spray volume	Buttock cleaning	About 0.5 to 0.8L/min
		Women-only	About 0.5 to 0.8L/min
	Warm water heater		1600W
Safety applause		Temperature sensor, temperature fuse, temperature jumper, flowmeter	
Drying device	Wind speed		>4m/s
	Air temperature		Four grades (Room temperature to 50°C)
	Drying heater		200W
	Safety devices		Double-sheet-metal switch, temperature fuse, temperature sensor
Deodorizing device	Deodorant		Activated carbon
	Power consumption		1.5W
Thermal seat	Seat temperature		Four grades (Room temperature to 40°C)
	Seat heater		45W
	Safety devices		Temperature sensor, temperature fuse
	Switch structure		Damping slowdown



## Precautions before installation

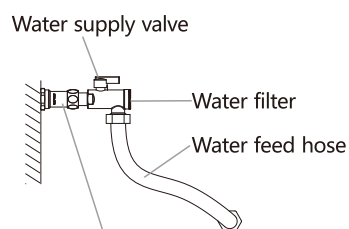
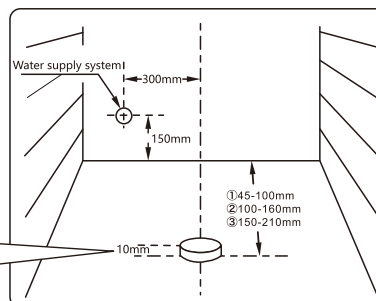
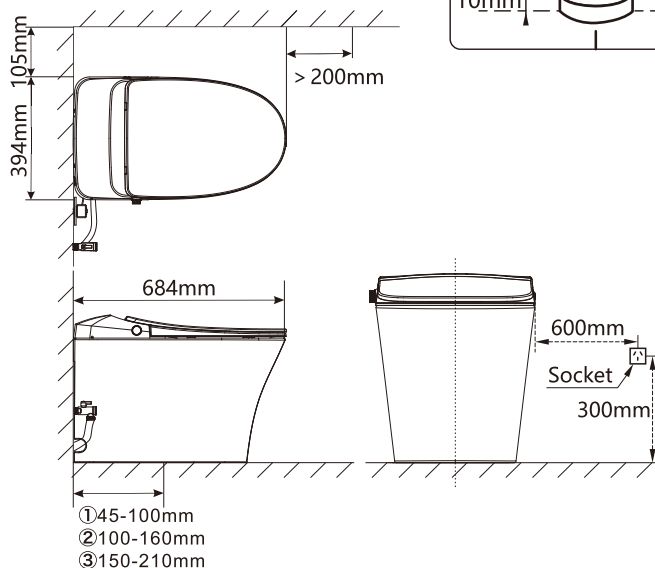
### 1. Installation space

While ensuring the space required for installation, please confirm whether the door opening affects the installation of the product.

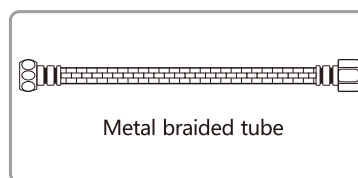
-The distance between the water supply pipe and the ground should be more than 150mm.

Please confirm water supply position and the position of PVC pipe before installation.

### 2. Drawing for installation



**Note: There is no matching check valve**

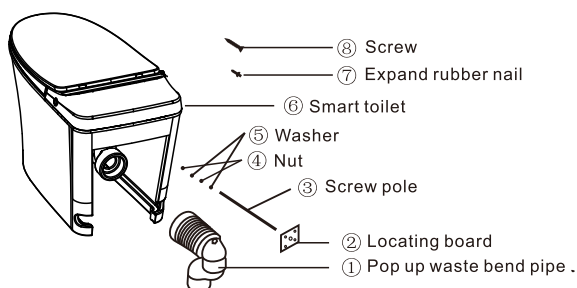


## Product installation methods

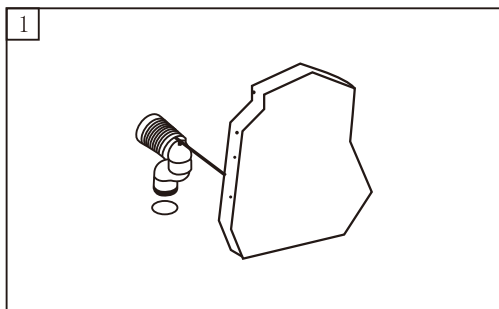
### The installation manual for Pop-up waste bend pipe

Note: this installation instruction is made for the final user.  
In order to use the product well, please install it correctly.

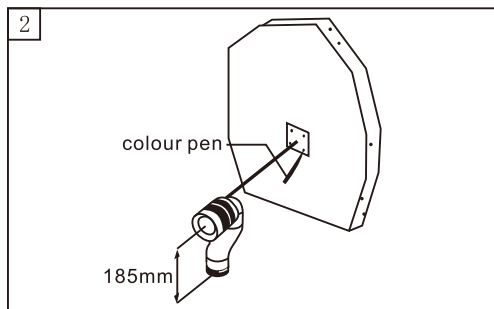
#### Block diagram



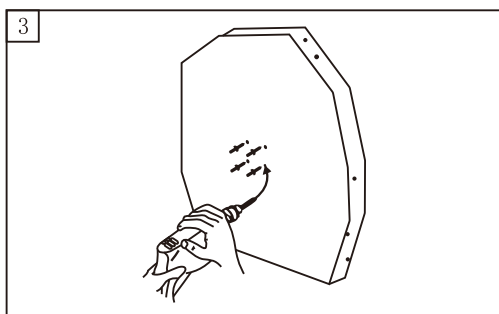
Step of Installation



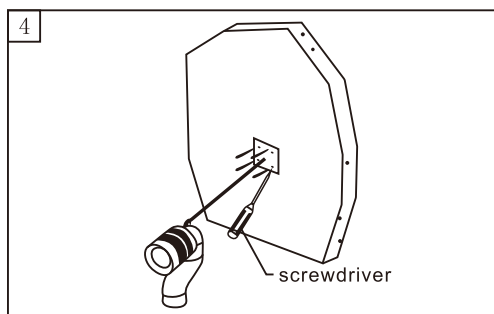
1. As the picture: Set the pop-up waste bend pipe ① on the exuding entrance, and finish the installation of the Screw pole ③. Locating board ② (suggest saw the screw pole about 130mm shorter) in order to ensure the dimension (kindly please measure on the spot practically)



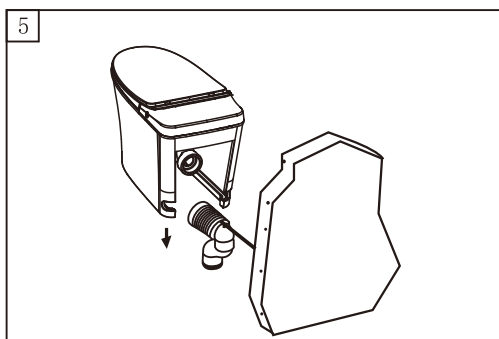
2. Attention: the distance between the center of the pop-up waste bend pipe ① and the floor should be 185mm, and find out the position on the wall with colour pen.



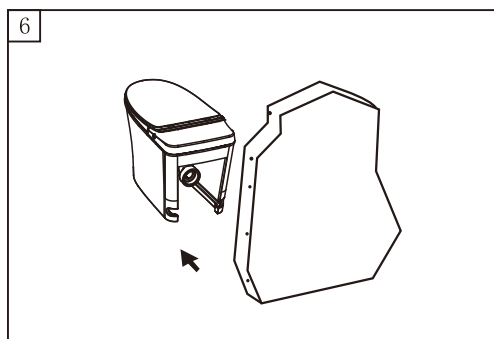
3. As the picture: Drill a hole for diameter ⑥, deep 30mm on the mark with the impact driller. Finally install the expand rubber nail ⑦.



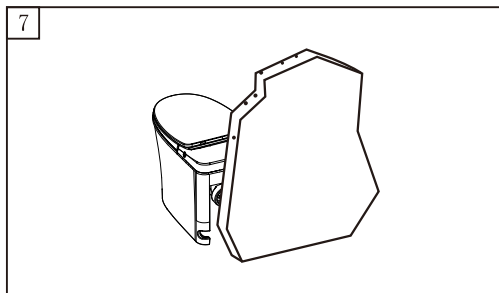
4. As the picture: Install the screw ⑧ together with the locating board ② on the expand rubber nail ⑦, and tighten the screw ⑧ with the screwdriver.



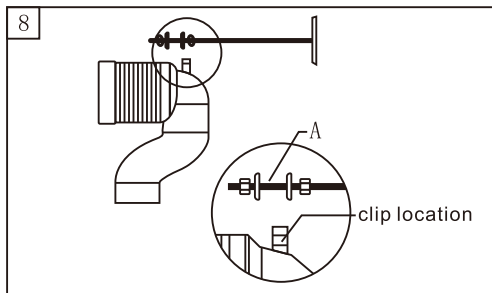
5. Lightly set the Smart toilet ⑥ with the pop-up waste bend pipe ① from up to down, and put it down slowly.



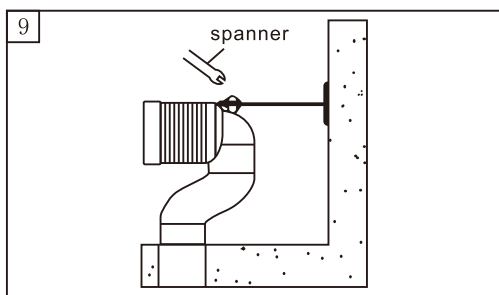
6. As the picture: Move forward the Smart toilet ⑥, make much room between the back of the Smart toilet and wall for the installation of the Screw pole ③.



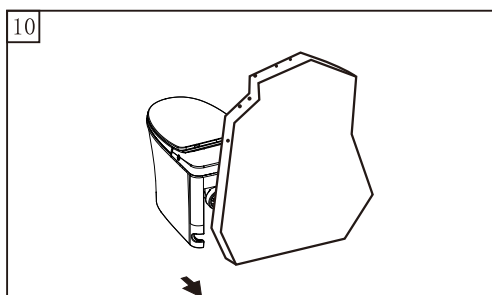
7. Install the screw pole ③ according to the picture ⑧ and picture ⑨ .



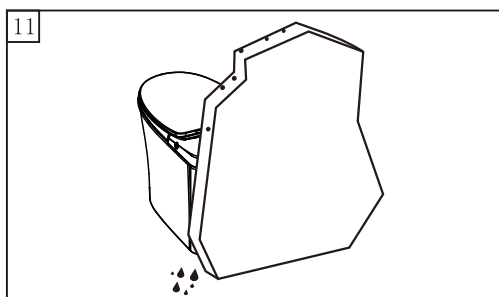
8. Put the A into the proper clip location as the picture, and loose the two nuts ④, finally complete the connection between the screw pole ③ and the locating board ② in vortical way.



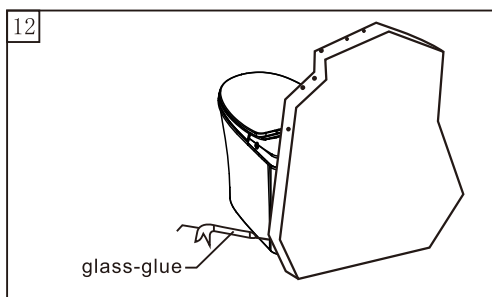
9. In order to fix up the pop-up waste bend pipe ①, please tighten the screw ⑧ with the spanner, and then connect the inlet pipe.



10. Move the Smart toilet to the wall slowly as picture in order to make it close to the pop-up waste bend pipe ① without any leaking.



11. As the picture, test-water after complete the installation so that to check up whether water leaks out from the bottom of the Smart toilet or not.

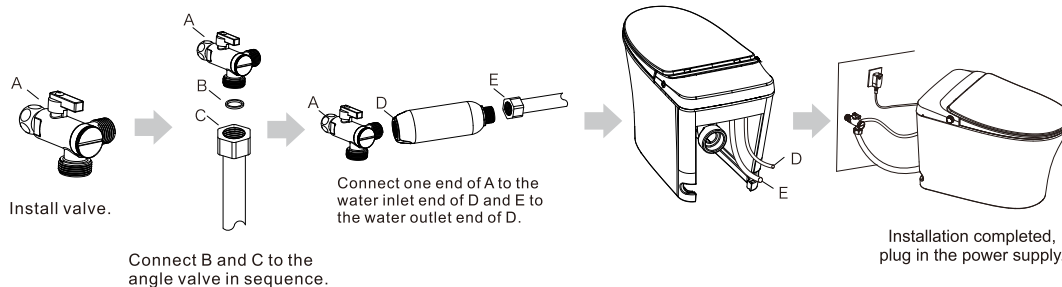


12. Finally, attach the bottom of the Smart toilet and the floor with glass-glue.

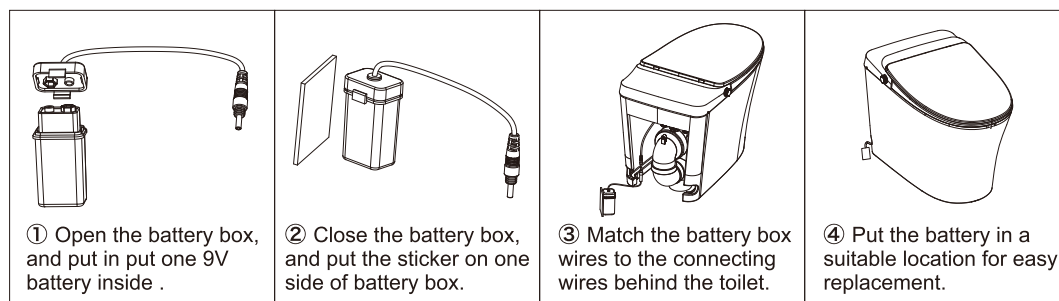
## 1. Connect the water supply pipe

⚠ **Before installing the valve, please drain all the impurities and sewage in the pipes. (Discharge the water for 1 to 2 minutes)**

① When the water supply valve is closed, remove the old angle valve and replace it with the new angle valve (included). Please use the supply hose included. Do not use the old one. ② Connect the supply line with inlet valve. ③ After the Smart toilet is installed, open the knob to detect no leakage at A, B, C, D and E. ④ Inspection is correct, plug in the power supply, press the "manual flush" button to confirm the siphon effect of sewage.



## 2. Battery Installation



## Product cleaning and maintenance methods

### Warning: waterproof toilet cleaning precautions

- Do not clean the product with your hands in case of damage or failure, to avoid secondary failure.
- Do not use hydrochloric acid detergent, thinner, bleach, benzene or strong detergent to clean the surface of the toilet. Do not allow pesticides, air fresheners and deodorants to stick to the toilet bowl.
- **The body discoloration, cracking and damage caused by the use of the above-mentioned reagents, even within the warranty period also need to paid the services.**

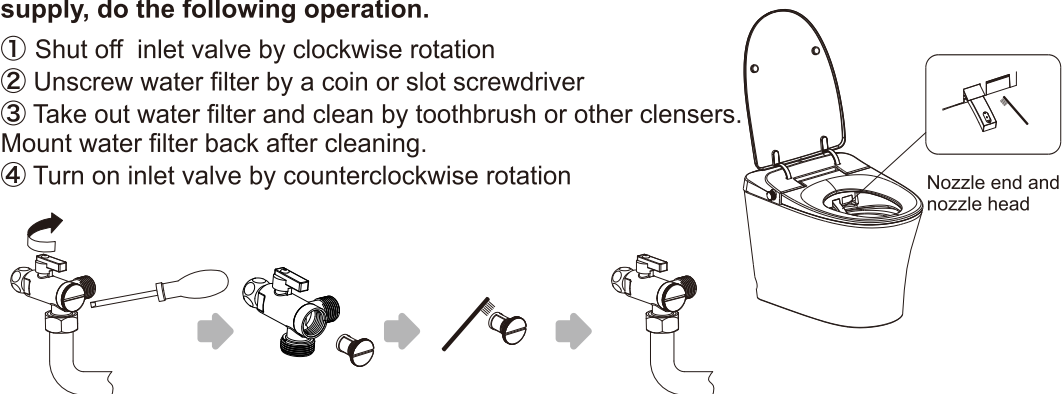
### 1. Nozzle cleaning

- ① On the Smart toilet power mode, do not sit on the seat.
- ② Press "Nozzle cleaning", entering the manual cleaning nozzle mode. (Can not activate "nozzle cleaning" mode when seated)
- ③ Please use soft brush or soft cloth when cleaning.
- ④ After the cleaning is completed, press the stop button or in the seating state, the cleaning tube is automatically retracted.
  - **Warning: do not force out or push into the cleaning tube during cleaning, or it may lead to Smart toilet failure.**

## 2. Filter cleaning

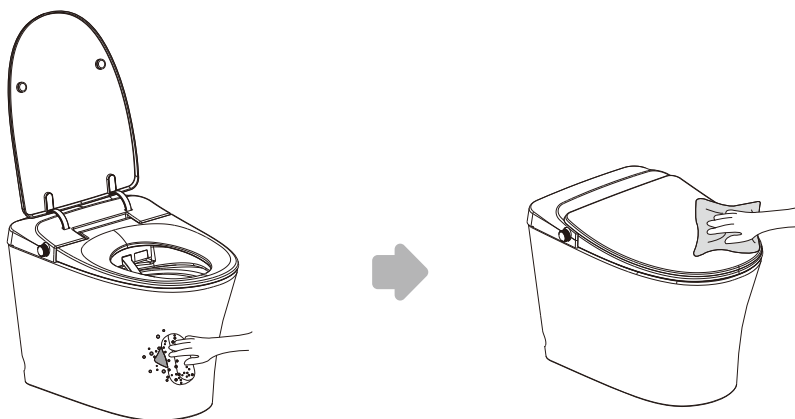
When the water supply valve is closed, cut off the machine water supply, do the following operation.

- ① Shut off inlet valve by clockwise rotation
- ② Unscrew water filter by a coin or slot screwdriver
- ③ Take out water filter and clean by toothbrush or other clensers. Mount water filter back after cleaning.
- ④ Turn on inlet valve by counterclockwise rotation



### Toilet appearance cleaning method diagram

- ① Use a soft cloth or sponge stained with neutral detergent to clean the machine.
- ② Wipe the whole machine with cotton cloth after cleaning.



## 3. Seat toilet management methods in winter

In order to prevent freezing in winter, please follow the following methods to manage.

- ① Check whether the power plug is properly inserted into the socket.
- ② When the bathroom has no heating device, please use cloth to wrap connecting pipes or other insulating materials for insulation.

### • Note:

**Please tighten the filter firmly, otherwise it may cause water leakage.**

**Do not grab the filter net too strongly as it may distort or rupture.**

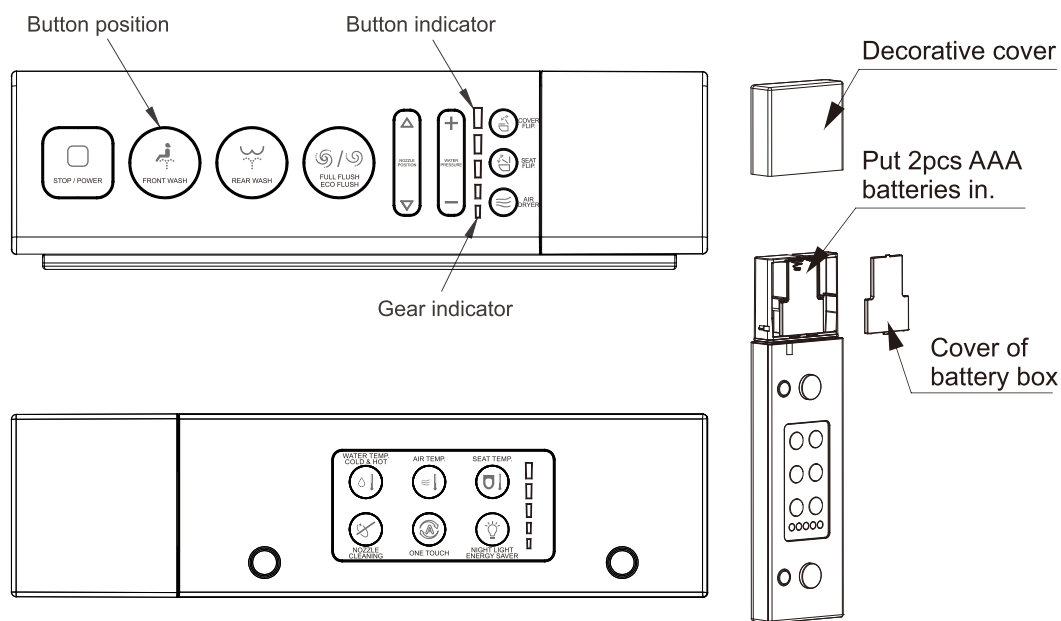
**When blockage blocks the filter, the pressure of the flushing water may not be enough, so please clean the toilet regularly once in three months.**

**We recommend that you do not use detergent when cleaning. Clean it directly with tap water.**

## Trouble shooting

Problems		Check	Handling
Functions does not work at all.		The seat sensing area uses cloth cover, mat and other items.	Please remove the cloth cover, mat and other items.
		Power is cut.	Please wait for power recovery.
		Socket is loose or poor contact.	Plug in, ensure good power supply.
		Whether the power reset button is pressed.	Please press the power button on the toilet.
Flushing	Water doesn't come out.	No water.	Please wait for the water supply to resume.
		Water inlet valve is clogged with dirt.	Open the inlet valve.
		Filter is clogged with dirt.	Please change or clean the filter.
		Whether the water supply tube is bent and clogged.	Eliminate the water supply pipe bending.
	Flushing power is not strong enough.	Water pressure is set at low-grade.	Please adjust the water potential power by "button description" on the remote control.
		Filter is clogged with dirt.	Please change or clean the filter.
		Clean the nozzle to see if there is any blockage.	Please clean the nozzle.
	Water temperature is not high enough.	Whether the water temperature is set at low or normal temperature.	Please reset the water temperature by "button description" on the remote control.
	No water supply when flushing.	Press the "Rear Wash" or "Front Wash" key for about 60s, the machine will automatically stop.	Please click "Rear Wash" or "Front Wash" key again.
	Toilet Seat	The heated seat is not heating.	Thermal seat's heating strength is set in the low or off state.
The toilet is set in the energy-saving state.			Please exit energy-saving state.
Whether the power outage.			Please wait for power recovery.

## Remote control user manual




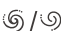



### Remote control code matching steps:







Press and hold the STOP/POWER and AIR DRYER. Buttons simultaneously for about 3 Seconds, until the 5 indicator lights are turned on and flashing. turn on the bidet.

When all the 5 indicators turned on, the remote control is connected successfully. Then you Can press any button to start using it. If the connection is not successful, try again after about 30 seconds.






### 1. Main function

 <p>Rear Wash Short press: start wash buttocks. Press subsequently: start / stop mobile wash.</p>	 <p>Stop / Power Quickly press to stop the current mode. long press to enter or exit the standby mode</p>
 <p>Front Wash Short press: start female wash. Press subsequently: start / stop mobile wash.</p>	 <p>FULL FLUSH /ECO FLUSH Quickly press to full flush once. long press to eco flush once.</p>
	 <p>Warm Air Drying Short press: start warm air drying.</p>

## 2. Parameter adjustment

<p>  Adjust water pressure  Short press "+", water pressure grade +1,  short press "-", water pressure grade -1. </p> <p>  Adjust tube front and rear position.   Short press "^", tube position grade +1,  short press "v", tube position grade -1. </p>	<p>  Adjust seat temperature  Short press: cyclically adjust seat temperature. </p> <p>  Adjust water temperature  Short press: cyclically adjust water temperature. </p> <p>  WATER TEMP. /Cold &amp; Hot SPA:  Quickly press to adjust water temperature  cyclically.  long press to start COLD &amp; HOT SPA wash. </p>
--	---

## 3. Auxiliary functions

<p>  One-touch completes rear wash,flush and  warm air drying.  Short press: start automatic "One Touch"  mode. </p> <p>  Seat Flip  Quickly press to open or close the seat  ring.  long press to turn on/off the foot induction. </p> <p>  Cover Flip  Quickly press to open or close the flip.  long press to turn on/off the microwave  induction </p>	<p>  Night light / Energy saver  Short press: turn night light on or off.  Press subsequently: enter or exit energy  saving mode. </p> <p>  Nozzle cleaning: when not seated, stick out  the nozzle for daily cleaning.  Short press: start nozzle cleaning. </p>
--	---

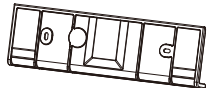
## 4.Others

### Energy saving

After the user leaves the seat, intelligently adjust the heating power of the seat.

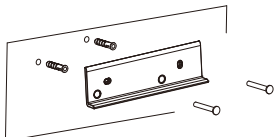
## Remote control installation steps

①



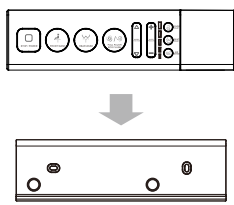
Remove 3M protective film

②




A. Determine the screw position.  
B. Put the expansion nut.  
C. Remove the sticker on the back  
of the remote control holder, Stick  
it to the right place on the wall.  
D. Screw on.

③



Insert the remote  
control into the holder

④



Completed





## Thank you for choosing us

The company is committed to product development and improvement. If there is any difference between the original manual and the improved one, please read the corresponding version of the manual. We apologize for any inconvenience.